

Receiver
From

 Society
 Reference
 Address
 Phone
 Fax
 E-mail

Item n° :

101110400

Model :

KPF 30/16 M

Pump data

 Impeller size : 0 mm
 Pressure rating : 6 bar (600 kPa)
 Min. fluid temperature : -10 °C
 Max. fluid temperature : 50 °C
 Max. Ambient temperature : 40 °C

Requested data

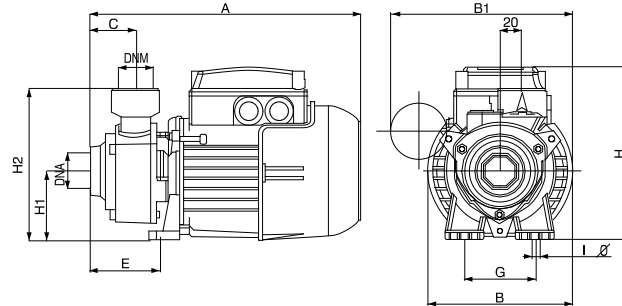
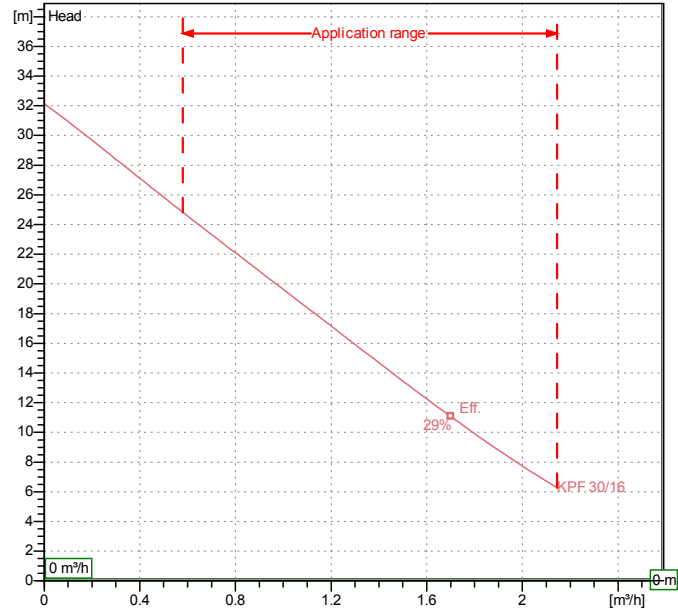
 Flow : 0.00 m³/h
 Head : 0.00 m
 Fluid : Water, pure
 Fluid Temperature : 20 °C
 Density : 998.3 kg/m³
 Kinematic viscosity : 1.005 mm²/s
 Vapor pressure : 100.00 kPa

Hydraulic data (duty point)

 Flow :
 Head :

Materials

 Pump body : Cast iron 200 UNI ISO 185
 Impeller : Brass P Cu Zn40 Pb2 UNI 5705/65
 Shaft with rotor : AISI 416 X12 CrS 13 UNI 6900/71
 Support : Cast iron 200 UNI ISO 185
 Mechanical seal : Carbon/Ceramic
 OR ring : NBR

Curve tolerance according to ISO 9906

Weight : 5.4 kg

Motor data

 Motor brand : DAB
 Nominal power P2 : 0.37 kW
 Rated speed : 2800 rpm
 Rated voltage : 1~ 220-240 V 50 Hz
 Nominal current : 2.37 A
 Degree of protection : IP 44

Dimensions in mm

A	247
B	132
B1	165
C	42
DNA	1" G
DNM	1" G
E	64
G	65
H	158
H1	63
H2	138
I Ø	8

Pump connection

 Suction side : 1" G / 6 bar (600 kPa)
 Discharge side : 1" G / 6 bar (600 kPa)



PERFORMANCE CURVES

13/11/2017

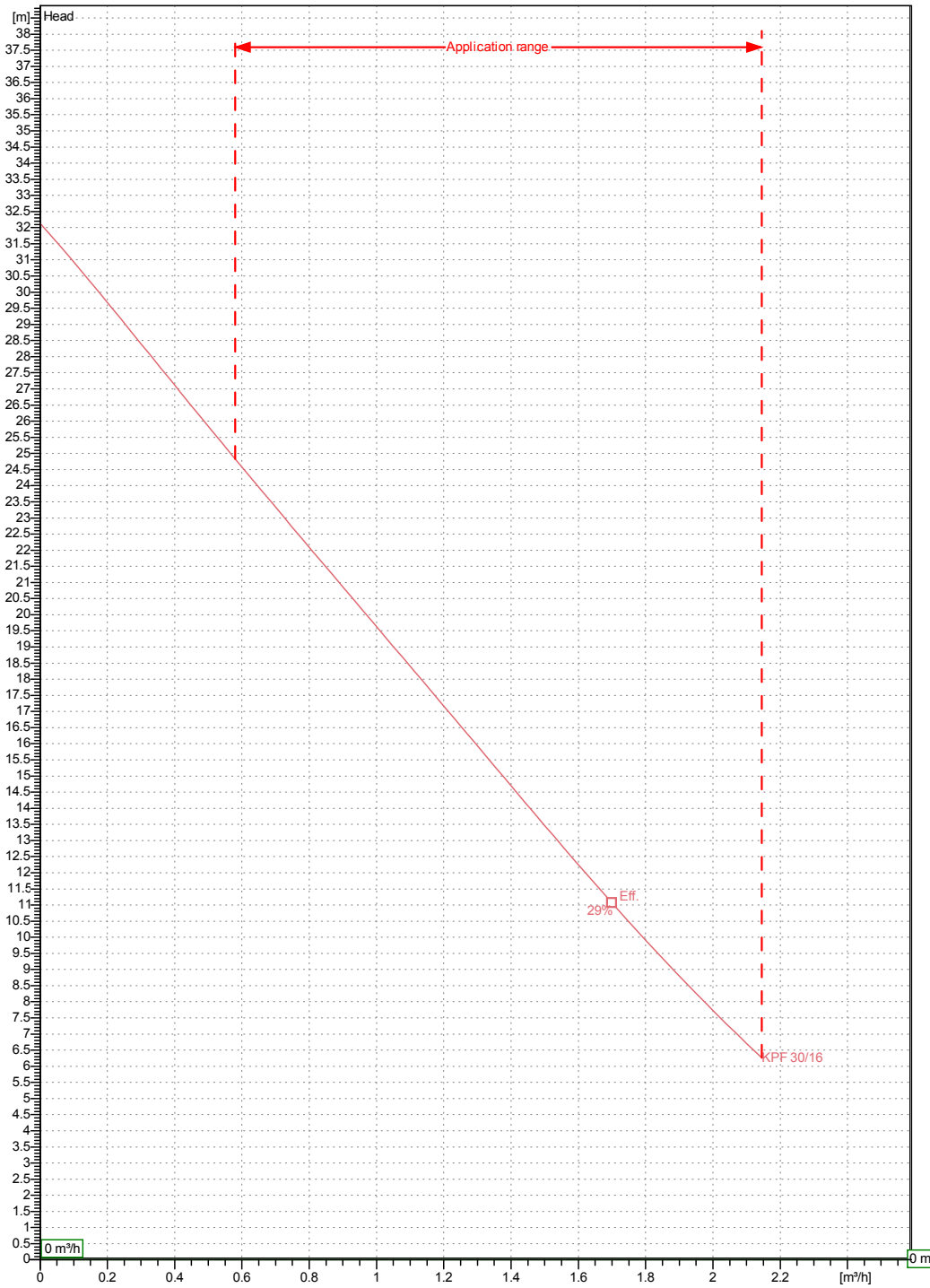
Page 2 / 3

DAB PUMPS S.p.A.
Via Marco Polo, 14 - 35035 Mestrino (PD), Italy
Tel. +39 049 5125000 - Fax +39 049 5125950
www.dabpumps.com

	Receiver	From
Society Reference Address Phone Fax E-mail		

KPF 30/16 M

Curve tolerance according to ISO 9906



Hydraulic data (duty point)

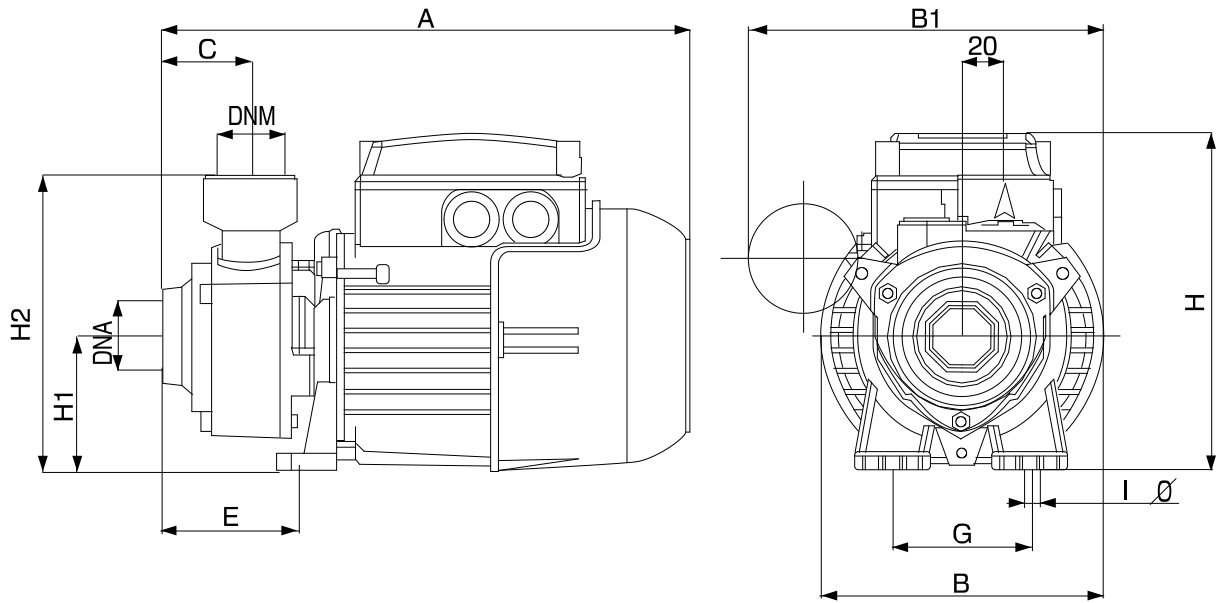
Suction side : 1 " G 6 bar (600 kPa)	Discharge side : 1 " G 6 bar (600 kPa)	Flow : 0 m³/h	Head : 0 m	Rated speed : 2800 rpm
Project	Project ID	Created by	Created on 13/11/2017	

Receiver

From

Society
 Reference
 Address
 Phone
 Fax
 E-mail

KPF 30/16 M


Dimensions in mm

1	A	247	H2	138	
2	B	132	I Ø	8	
3	B1	165			
4	C	42			
5	DNA	1" G			
6	DNM	1" G			
7	E	64			
8	G	65			
9	H	158			
10	H1	63			

Pump connection

Suction
 1" G
 6 bar (600 kPa)

Discharge
 1" G
 6 bar (600 kPa)

Project

Project ID

Created by

Created on

13/11/2017